

# SYNERGY

## Price List



**Updated: 04/02/2026**

**Version: 3.12**

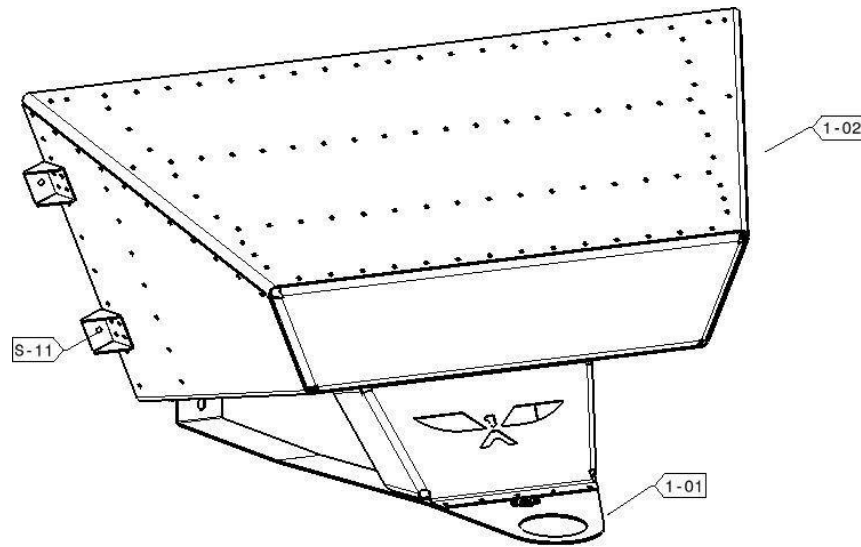
Aquila Cars A/S reserves the right to make pricing and specification changes as and when necessary. Any changes will be notified at quotation. All prices are excluding VAT. Aquila Cars A/S cannot be held responsible for any errors in printing.

## Change Log

Version	Date	Description
3.0	21/01/2017	Starting version using new layout and format from the start of the 2017 season.
3.1	29/01/2017	Various minor updates.
3.2	18/01/2018	Updated prices for the start of the 2018 season.
3.3	08/11/2018	Improvements to the layout of the Powertrain and Bodywork sections.
3.4	31/01/2019	Updated prices for the start of the 2019 season.
3.5	23/07/2019	Add new component on pages 28-29.
3.6	12/05/2020	Pricelist has been adjusted to incorporate 'On Track' prices.
3.7	15/06/2022	Pricelist has been updated to reflect new prices and new parts.
3.8	19/12/2022	Pricelist has been updated to reflect new prices.
3.9	29/04/2024	Pricelist has been updated to reflect new prices and category of some components
3.10	14/04/2025	Pricelist has been updated. Item no. 2-52 and 3-54 added, Price specified for 2-47, Price corrected for 2-48.
3.11	23/04/2025	Added various parts.
3.12	04/02/2026	Pricelist has been updated to reflect new prices.

**NOTE:** All orders placed with Aquila Racing Cars A/S at least 7 days prior to a race will be completed and delivered to you at the standard price plus delivery charges, anything orders less than 7 days to a race will be charged at the 'On Track' price including when at an event.

## Chassis - Crashbox

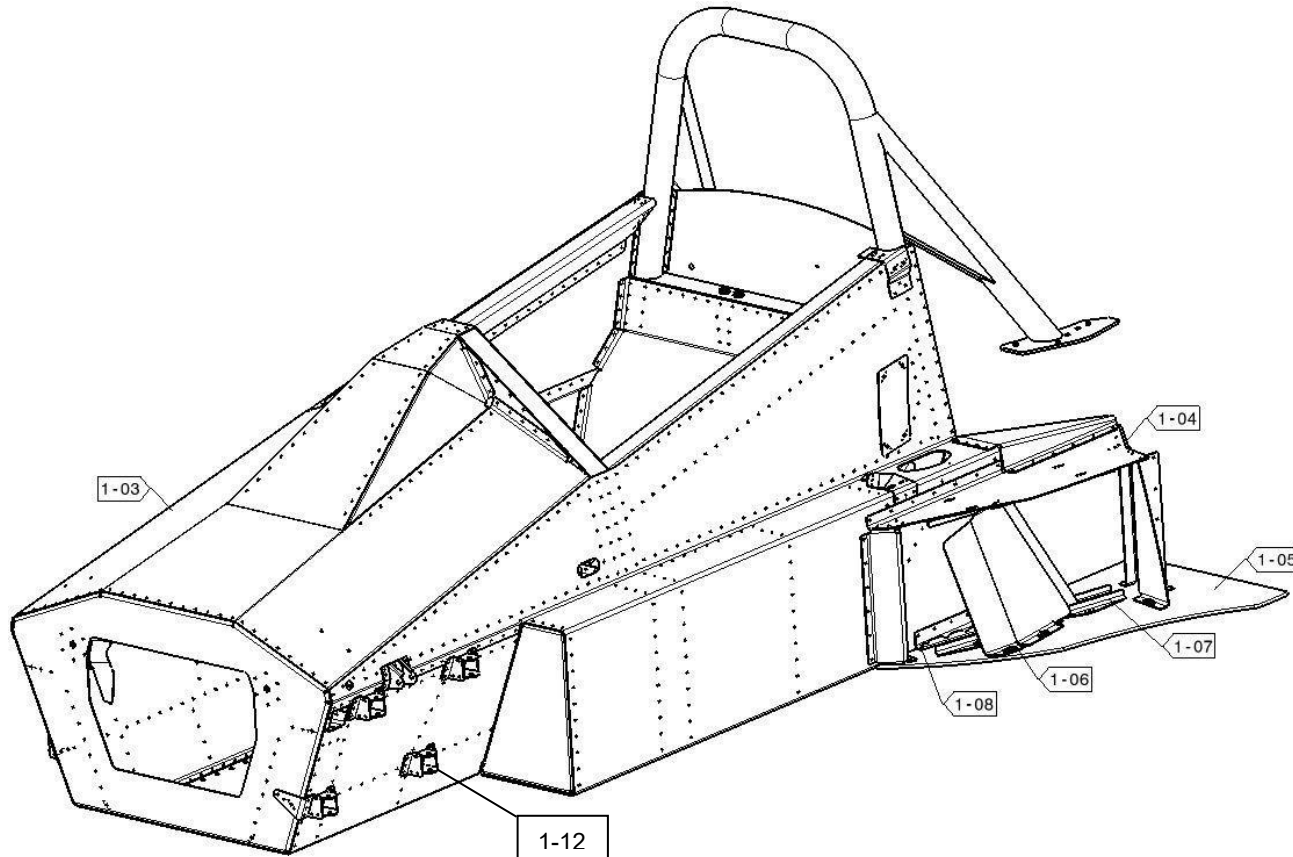


	A	B	C
1-01	X		
1-02	X		
S-11			X

## Chassis - Crashbox – Part Numbers

Item Number	Part Number	OEM Part Number	Description	Price Eur.	On Track Price
1-71	SC-01-035-0314	SC-01-035-0314	Front Towing Eye	€31.00	€35.65
1-98	SC-01-035-0409	SC-01-035-0409	Crashbox	€654.50	€752.68
S-11			Bolt Set: Mounting Crashbox to Chassis	POA	POA

## Chassis – Monocoque

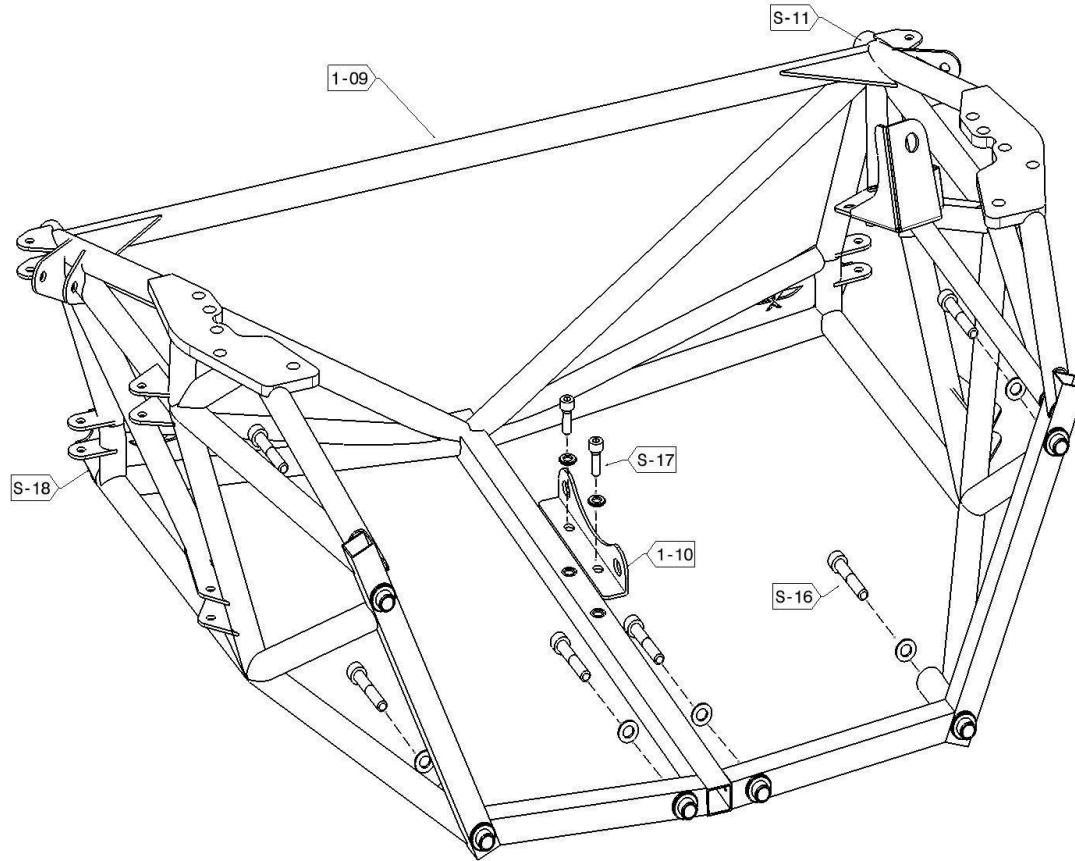


	A	B	C
1-03	X		
1-04	X		
1-05	X		
1-06	X		
1-07	X		
1-08	X		
1-12	X		
S-12			X
S-13			X
S-14			X
S-15			X
S-19			X

## Chassis – Monocoque – Part Numbers

Drawing Number	Part Number	Description	Price Eur.	On Track Price
1-03	SC-01-001-0410	Monocoque Chassis	€6182.00	€7109.30
1-04	SC-01-058-0015	Radiator Housing	€375.826	€432.20
1-05	SC-01-058-0374	Radiator Duct Floor	€41.00	€47.15
1-06	SC-01-058-0382	Central Duct Left	€41.8	€48.07
	SC-01-058-0383	Central Duct Right	€41.8	€48.07
1-07	SC-01-058-0384	Radiator Right Angle Locator	€39.6	€45.54
1-08	SC-01-058-0388	Radiator Floor Mounting Strip Left	€63.8	€73.37
	SC-01-058-0389	Radiator Floor Mounting Strip Right	€63.8	€73.37
1-12		Front Wishbone Mount	€71.5	€82.23
S-12		Bolt Set: Rear Roll Hoop to Subframe	POA	POA
S-13		Bolt Set: Radiator Floor	POA	POA
S-14		Bolt Set: Radiator Centre Duct	POA	POA
S-15		Bolt Set: Right Angle Locator through Floor	POA	POA
S-19		Bolt Set: Right Angle Locator through Housing	POA	POA

## Chassis – Rear Subframe

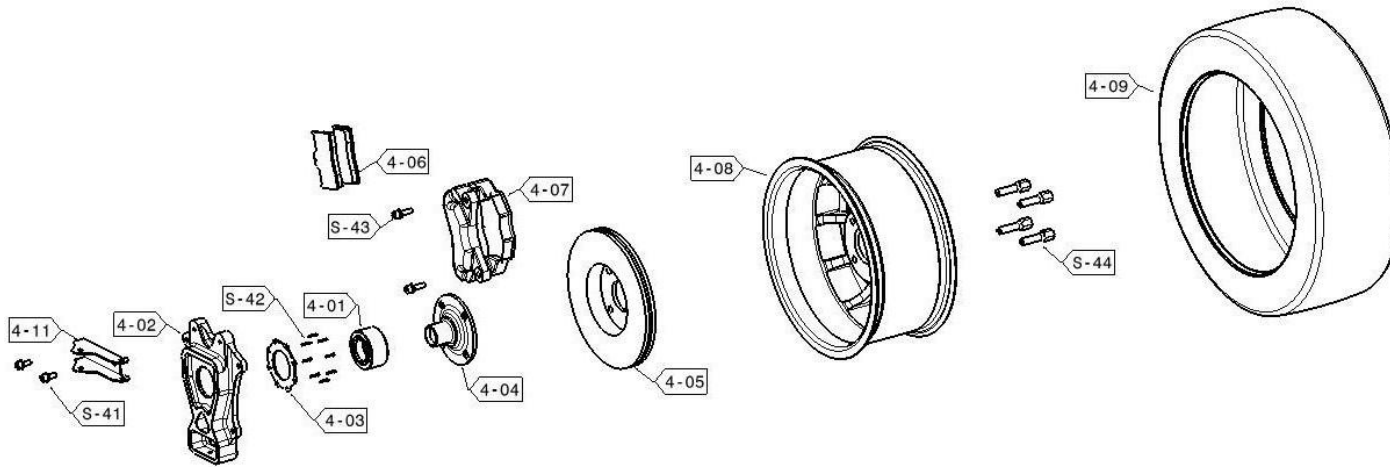


	A	B	C
1-09	X		
1-10	X		
1-11	X		
S-16			X
S-17			X
S-18			X
S-110			X

## Chassis – Rear Subframe – Part Numbers

Item Number	Part Number	Description	Price Eur.	On Track Price
1-09	SC-01-009-0016	Rear Subframe	€2662.00	€3061.30
1-10	SC-01-009-0254	Gearbox Adaptor Plate	€36.30	€41.75
1-11	SC-01-009-0017	Rear Bodywork Support	€24.00	€27.60
S-16		Bolt Set: Subframe to Monocoque	POA	POA
S-17		Bolt Set: Lower Engine Bracket to Subframe	POA	POA
S-18		Bolt Set: Diffuser Mount	POA	POA
S-110		Bolt Set: Gear Cable Mount to Subframe	POA	POA

## Suspension – Front Corner

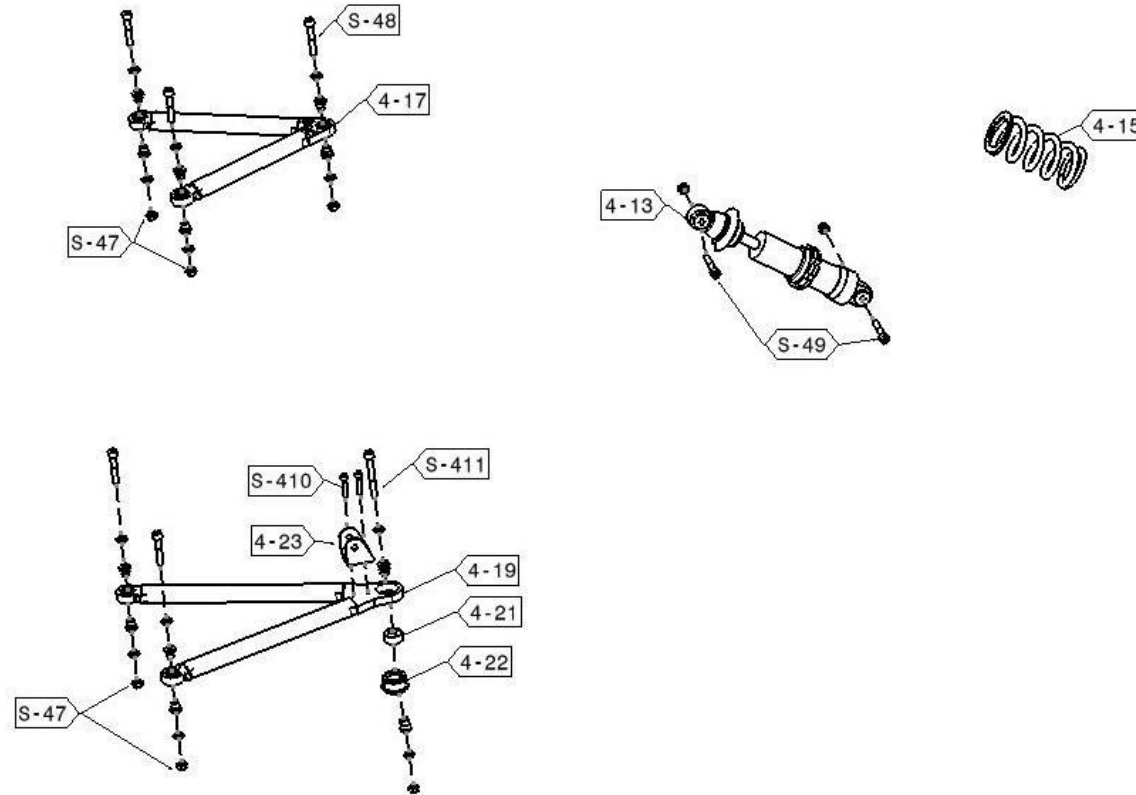


	A	B	C
4-01		X	
4-02	X		
4-03	X		
4-04		X	
4-05		X	
4-06		X	
4-07		X	
4-08	X		
4-09	X		
4-09	X		
4-11	X		
4-23		X	
4-27	X		
S-41			X
S-42			X
S-43			X
S-44		X	
S-45			X
S-46			X

## Suspension – Front Corner – Part Numbers

Item Number	Drawing Number	Description	Price Eur.	On Track Price
4-01	SC-04-010-0309	OEM Wheel Bearing	€84.00	€96.60
4-02	SC-04-010-0099	Upright	€671.00	€771.65
4-03	SC-04-010-0100	Wheel Bearing Retainer Plate	€8.80	€10.12
4-04	SC-04-010-0310	OEM Hub	€130.00	€149.50
4-05	SC-04-010-0288	OEM Brake Disc	€55.00	€63.25
4-06	SC-04-010-0290	Wilwood Brake Pads	€126.50	€145.48
4-07	SC-04-010-0289	Wilwood Dynalite Brake Caliper	€247.50	€347.88
4-08	SC-04-010-0287	BRAID Winrace-A R13 x 6	€360.00	€414.00
	SC-04-010-0109	Aquila Wheel R13 x 6	€302.50	€316.25
4-09	SC-04-010-0285	Front Tyre Dry 160/530-13	€160.00	€184.00
4-11	SC-04-010-0065	Front Camber Block	€55.00	€63.25
4-23	SC-04-010-0025	90 Degree Brake fitting adapter	€9.00	€10.35
4-27	SC-04-010-0101	Aquila Camber Shims	€10.00	€11.50
S-41		Bolt Set: Camber Block	€6.20	€7.13
S-42		Bolt Set: Retainer Plate	€4.82	€5.54
S-43		Bolt Set: Brake Caliper	€4.82	€5.54
S-44		Bolt Set: OEM Wheel Bolts	€12.40	€14.26
S-45		Bolt Set: Steering Arm	€6.20	€7.13
S-46		Bolt Set: Brake Disc Screw	POA	POA

## Suspension – Front Wishbone

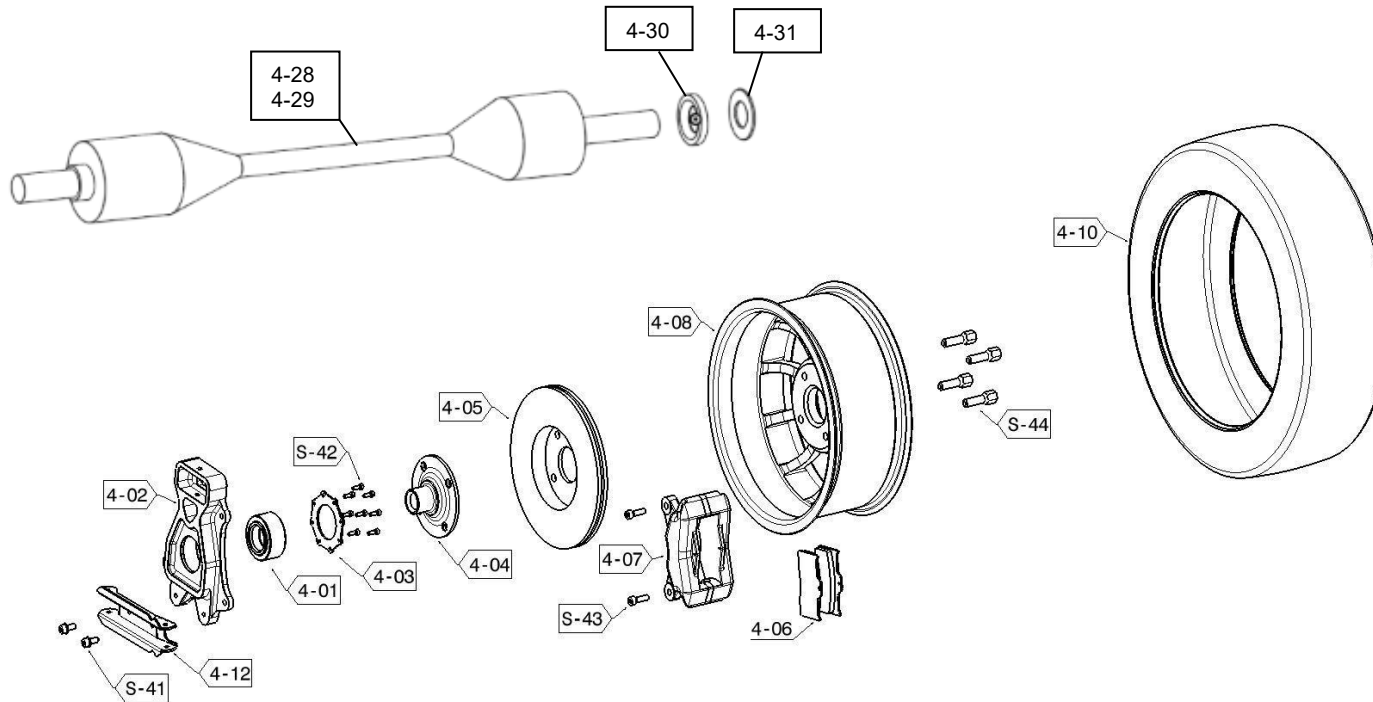


	A	B	C
4-13	X		
4-15	X		
4-17	X		
4-19	X		
4-21	X		
4-22	X		
4-23	X		
S-47			X
S-48			X
S-49			X
S-410			X
S-411			X
TH-1	X		
TH-2	X		
TH-3	X		

## Suspension – Front Wishbones – Part Numbers

Item Number	Part Number	Description	Price Eur.	On Track Price
4-13	SC-04-029-0280	INTRAX Front Damper	€430.50	€495.08
4-15	SC-04-010-0293	INTRAX Front Spring – 130/60-5.1mm	€66.00	€75.90
4-17	SC-04-010-0294	Front Upper Wishbone	€137.50	€158.13
4-19	SC-04-010-0282	Front Lower Wishbone	€165.00	€189.75
4-21	SC-04-030	Outboard Lower Wishbone Bearing	€60.00	€69.00
4-22	SC-04-029	Outboard Lower Wishbone Bearing Housing	€22.00	€25.30
4-23	SC-04-033-0062	Front Lower Damper Mount	€27.50	€31.63
S-47		Bolt Set: Front Inboard Wishbone Upper/ Lower	€5.51	€6.33
S-48		Bolt Set: Outboard Upper Wishbone	€3.44	€3.95
S-49		Bolt Set: Damper	€4.82	€5.54
S-410		Bolt Set: Lower Damper Bracket	€8.96	€10.30
S-411		Bolt Set: Outboard Lower Wishbone	POA	POA
TH - 1	SC-04-041-0261	Front Wishbone Inboard	POA	POA
TH - 2	SC-04-041-0260	Front Wishbone Outboard Upper/ Rear Track Rod	POA	POA
TH - 5	SC-04-041-0264	Front Wishbone Outboard Lower	POA	POA

## Suspension – Rear Corner

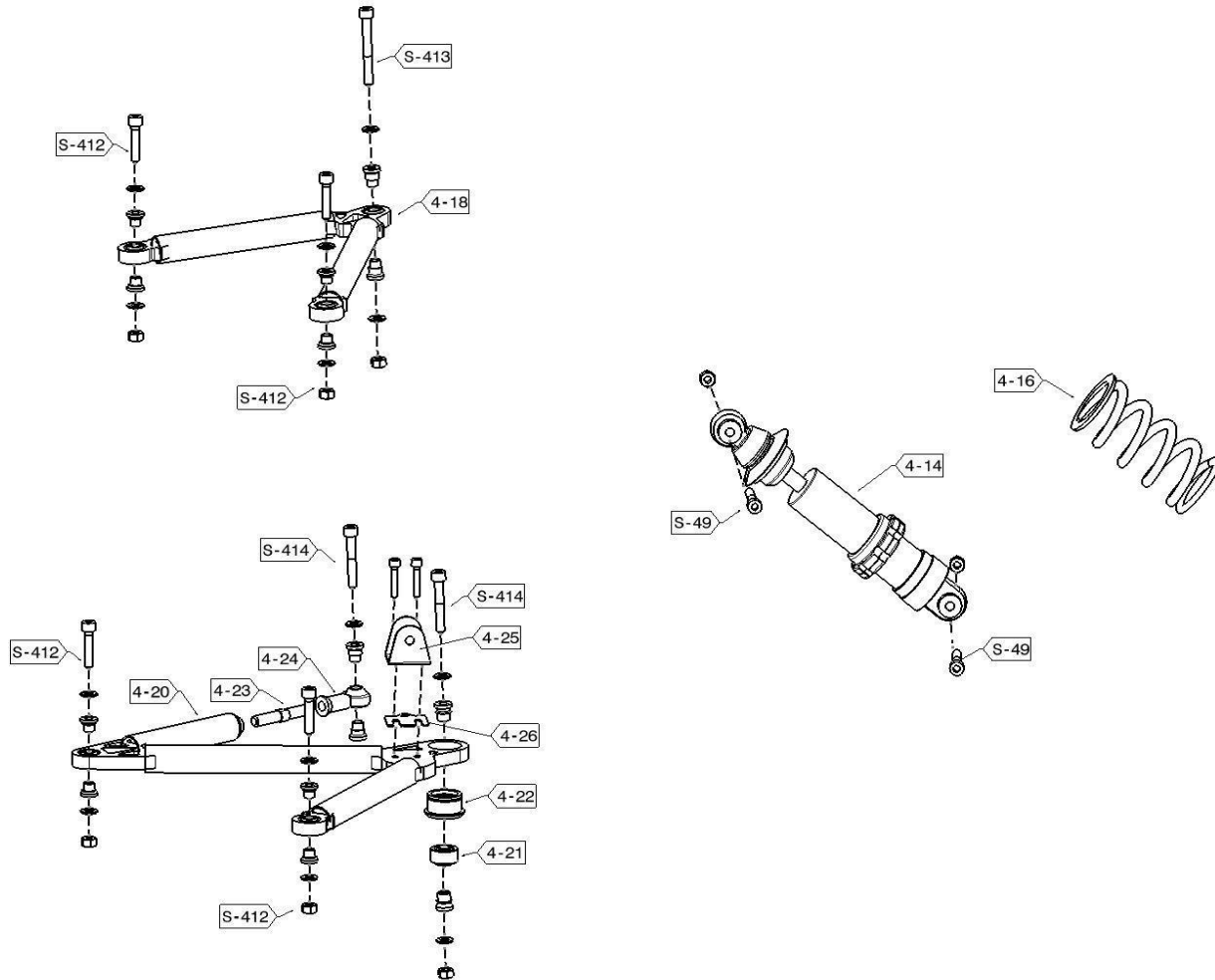


	A	B	C
4-01		X	
4-12	X		
4-02	X		
4-03	X		
4-04		X	
4-05		X	
4-06		X	
4-07		X	
4-08	X		
4-10	X		
4-10	X		
4-23		X	
4-27	X		
4-28	X		
4-29	X		
4-30	X		
4-31	X		
S-41			X
S-42			X
S-43			X

## Suspension – Rear Corner – Part Numbers

Item Number	Part Number	Description	Price Eur.	On Track Price
4-01	SC-04-010-0309	OEM Wheel Bearing	€84.00	€96.60
4-12	SC-04-011-0064	Rear Camber Block	€55.00	€63.25
4-02	SC-04-010-0099	Upright Common	€671.00	€771.65
4-03	SC-04-010-0100	Wheel Bearing Retainer Plate	€8.80	€10.12
4-04	SC-04-010-0310	OEM Hub	€130.00	€149.50
4-05	SC-04-010-0288	OEM Brake Disc	€55.00	€63.25
4-06	SC-04-010-0290	Wilwood Brake Pads	€126.50	€145.48
4-07	SC-04-010-0289	Wilwood Dynalite Brake Caliper	€247.50	€284.63
4-08	SC-04-010-0287	BRAID Winrace-A Wheel R13 x 6	€360.00	€414.00
	SC-04-010-0109	Aquila Wheel R13 x 6	€302.50	€347.88
4-10	SC-04-011-0286	Rear Tyre Dry 180/560-13	€160.00	€184.00
4-23	SC-04-010-0025	90 Degree Brake Fitting Adaptor	€9.90	€11.39
4-27	SC-04-010-0101	Aquila Camber Shims	€9.40	€10.82
4-28		Left/Short Driveshaft	€155.00	€178.25
4-29		Right/Long Driveshaft	€260.00	€299.00
4-30	SC-03-006-0525	Driveshaft Main Distance Washer	€15.00	€17.25
4-31	SC-03-006-0526	Driveshaft Shim 2mm	€8.00	€9.20
S-41		Bolt Set: Camber Block	€6.20	€7.13
S-42		Bolt Set: Retainer Plate	€4.82	€5.54
S-43		Bolt Set: Brake Caliper	€4.82	€5.54
S-44		Bolt Set: OEM Wheel Bolts	€12.40	€14.26
S-46		Bolt Set: Brake Disc Screw	POA	POA

## Suspension – Rear Wishbones

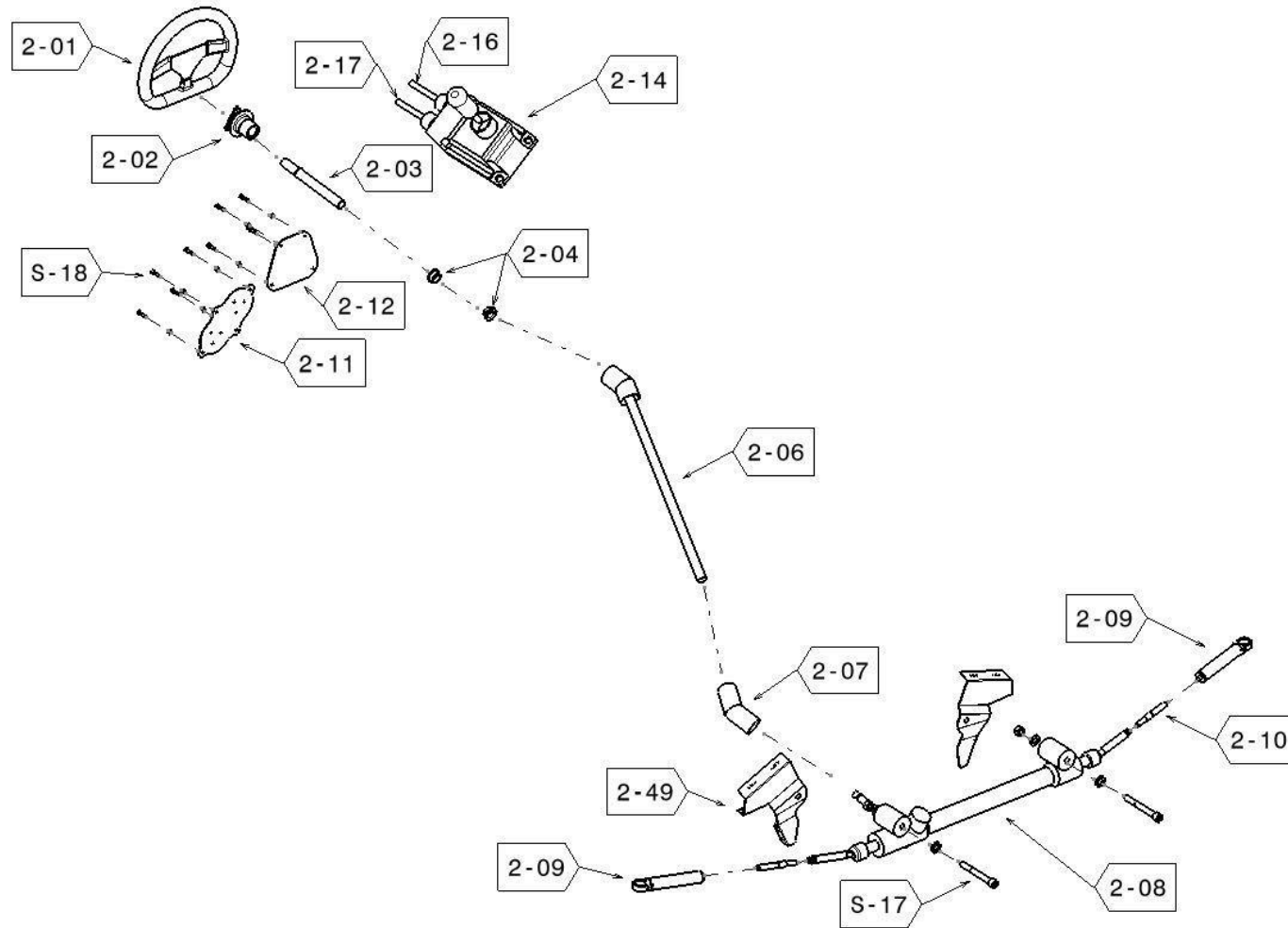


	A	B	C
4-14	X		
4-16	X		
4-18	X		
4-20	X		
4-21	X		
4-22	X		
4-23	X		
4-24			X
4-25	X		
4-26	X		
S-412			X
S-413			X
S-414			X
S-415			X
S-416			X
S-417			X
TH – 4	X		
TH – 5	X		
TH – 6	X		

## Suspension – Rear Wishbones – Part Numbers

Item Number	Drawing Number	Description	Price Eur.	On Track Price
4-14	SC-04-011-0279	INTRAX Rear Damper	€430.50	€495.08
4-16	SC-04-011-0293	INTRAX Rear Spring – 130/60-5.1mm	€66.00	€75.90
4-18	SC-04-032-0307	Rear Upper Wishbone	€137.50	€158.13
4-20	SC-04-031-0308	Rear Lower Wishbone	€220.00	€253.00
4-21	SC-04-029-0280	Outboard Lower Wishbone Bearing	€60.00	€69.00
4-22	SC-04-029-0279	Outboard Lower Wishbone Bearing Housing	€22.00	€25.30
4-23	SC-04-010-0025	Track Rod Rear	€46.20	€53.13
4-24	SC-04-031-0330	Female M10 Rod End Link	€23.10	€26.57
4-25	SC-04-034-0063	Rear Lower Damper Mount	€27.50	€31.63
4-26	SC-04-015-0071	Damper Mount Shim	€7.00	€8.05
S-412		Bolt Set: Rear Inboard Wishbone	€5.47	€6.29
S-413		Bolt Set: Rear Outboard Upper Wishbone	€4.78	€5.50
S-414		Bolt Set: Rear Outboard Lower Wishbone	€8.88	€10.21
S-415		Bolt Set: Lower Wishbone Damper Bracket	€5.51	€6.33
S-416		Bolt Set: Rear Track Rod	€5.24	€6.02
S-417		Bolt Set: RH/ LH Rear Track Rod Lock Nuts	€1.34	€1.54
TH – 2	SC-04-041-0260	Front Wishbone Outboard Upper/ Rear Track Rod	POA	POA
TH – 3	SC-04-041-0262	Rear Wishbone Inboard	POA	POA
TH – 4	SC-04-041-0263	Rear Wishbone Outboard Upper	POA	POA
TH – 6	SC-04-041-0265	Rear Wishbone Outboard Lower	POA	POA

## Driver Controls

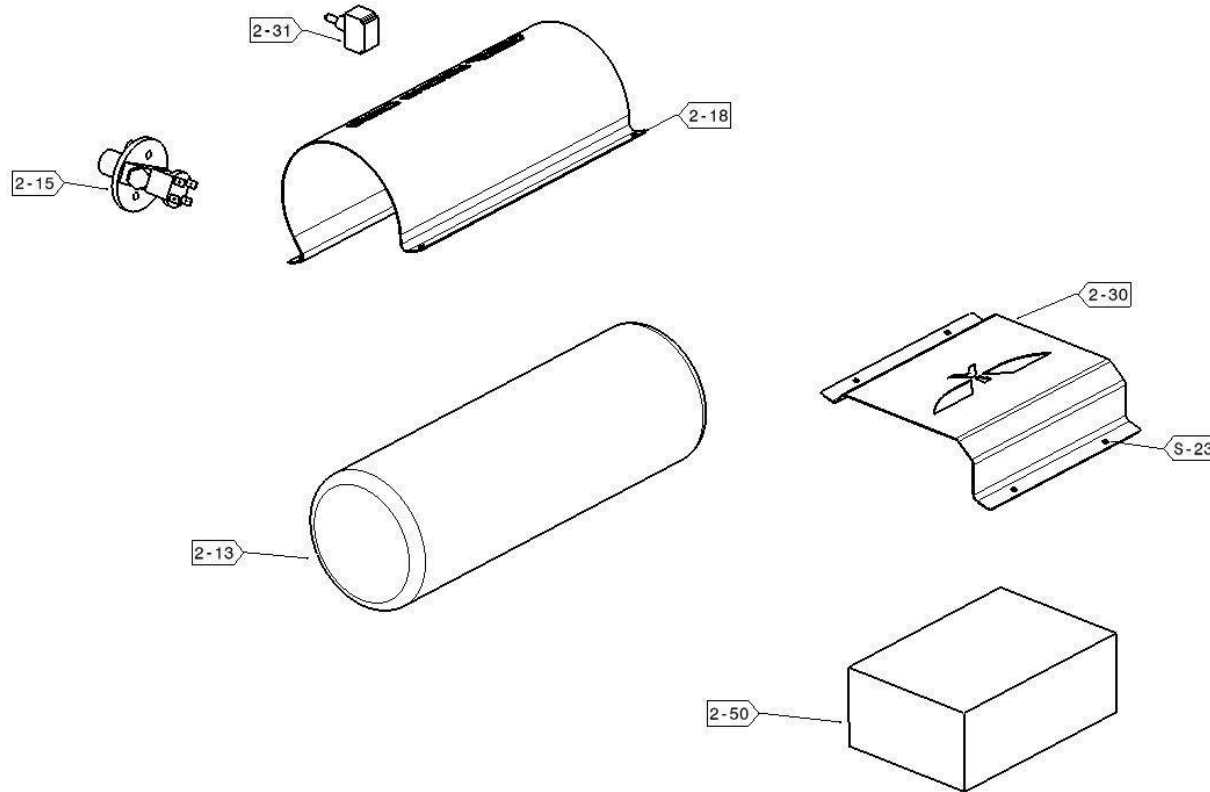


	A	B	C
2-01		X	
2-02	X		
2-03	X		
2-04	X		
2-05	X		
2-06	X		
2-07	X		
2-08		X	
2-09	X		
2-10		X	
2-11	X		
2-12	X		
2-14		X	
2-16	X		
2-17	X		
2-49	X		
S-21			X
S-22			X
S-24			X

## Driver Controls – Part Numbers

Item Number	Part Number	Description	Price Eur.	On Track Price
2-01	SC-02-004-0297	OMP Steering Wheel	€198.00	€227.70
2-02	SC-02-004-0298	Quick Release Steering Boss	€220.00	€253.00
2-03	SC-04-004-0284	Steering Column Upper Tube (with Spline)	€104.50	€120.18
2-04	SC-02-004-0299	Steering Column Bushes	€6.60	€7.59
2-06	SC-02-004-0281	Steering Column Lower tube with Universal Joint	€104.50	€120.18
2-07	SC-02-004-0282	Steering Column Rack Universal Joint	POA	POA
2-08	SC-02-004-0300	OEM Steering Rack	€179.55	€206.48
2-09	SC-02-004-0305	Front Track Rod End	€66.00	€75.90
2-10		OEM Steering Rack Locking Nut	POA	POA
2-11	SC-02-026-0188	Switch Panel	€18.70	€21.51
2-12	SC-02-026-0158	Display Cover Panel	€38.50	€44.28
2-14	SC-02-003-0307	Gear Lever Selector Unit	POA	POA
2-16	SC-02-003-0411	Outer Gear Cable	€215.00	€247.25
2-17	SC-02-003-0412	Inner Gear Cable	€215.00	€247.25
2-49	SC-01-021-0088	Steering Rack Mount Left	€63.80	€73.37
	SC-01-021-0089	Steering Rack Mount Right	€63.80	€73.37
S-21		Bolt Set: Steering Rack	POA	POA
S-22		Bolt Set: Switch Panel Covers	POA	POA
S-24		Bolt Set: Gear Lever Selector Unit	POA	POA

## Driver Controls – Safety

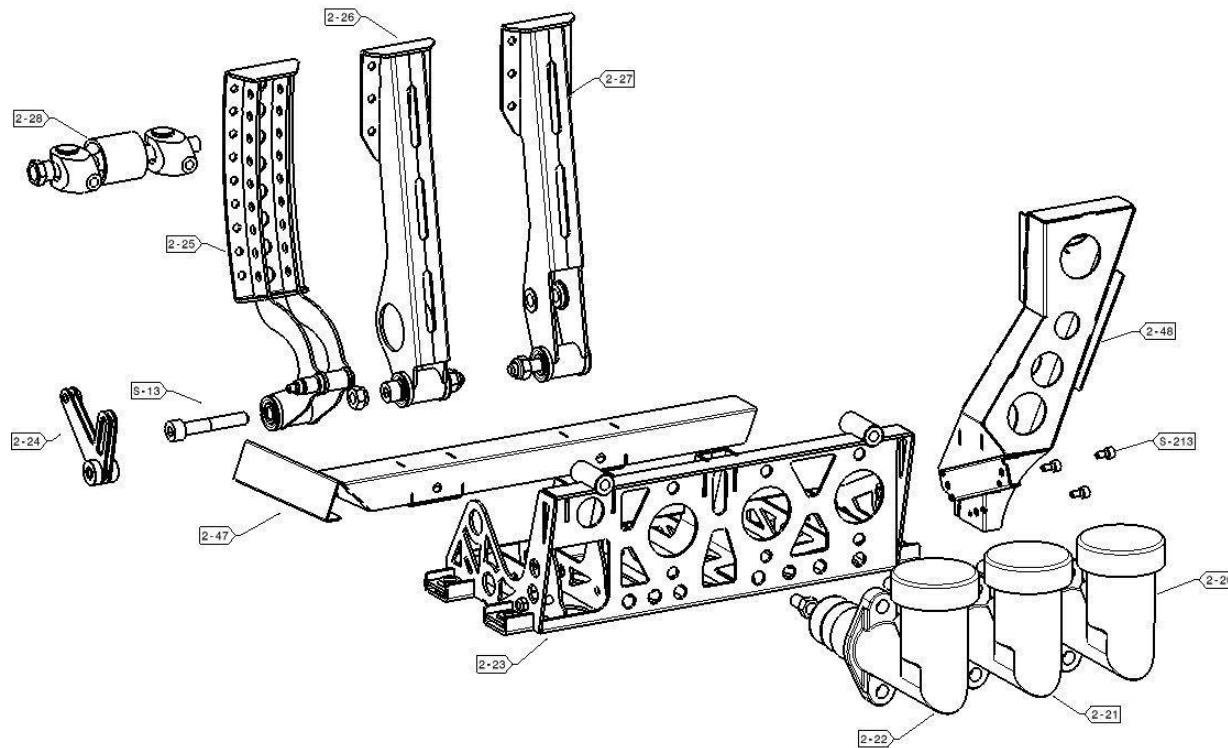


	A	B	C
2-13		X	
2-15		X	
2-18	X		
2-30	X		
2-31		X	
2-34		X	
2-35		X	
2-37		X	
2-51		X	
S-23			X
S-25			X
S-26			X

## Driver Controls – Safety – Part Numbers

Item Number	Part Number	Description	Price Eur.	On Track Price
2-13	SC-02-025-0306	Fire Extinguisher	€450.00	€517.50
2-15	SC-02-026-0308	Driver Electrical Kill Switch	€50.00	€57.50
2-18	SC-01-001-0187	Extinguisher Cover	€44.00	€50.60
2-30	SC-01-001-0153	Battery Cover	€38.50	€44.28
2-31		Ignition Button	€30.00	€34.50
2-34		Mirrors	€80.00	€92.00
2-35		Safety Belts	€400.00	€460.00
2-37		Seat	€580.00	€667.00
2-50		Battery	€175.00	€201.25
2-51		AiM Solo 2 DL	POA	POA
S-23		Bolt Set: Fire Extinguisher/ Battery Cover	POA	POA
S-25		Bolt Set: Safety Belt	POA	POA
S-26		Bolt Set: Driver Electrical Kill Switch	POA	POA
S-27		Bolt Set: Seat	POA	POA

## Driver Controls – Pedal Box



	A	B	C
2-20		X	
2-21		X	
2-22		X	
2-23	X		
2-24	X		
2-25	X		
2-26	X		
2-27	X		
2-28		X	
2-47	X		
2-48	X		
S-28			X
S-29			X
S-210			X
S-211			X
S-212	X		
S-213			X

### Driver Controls – Pedal Box – Part Numbers

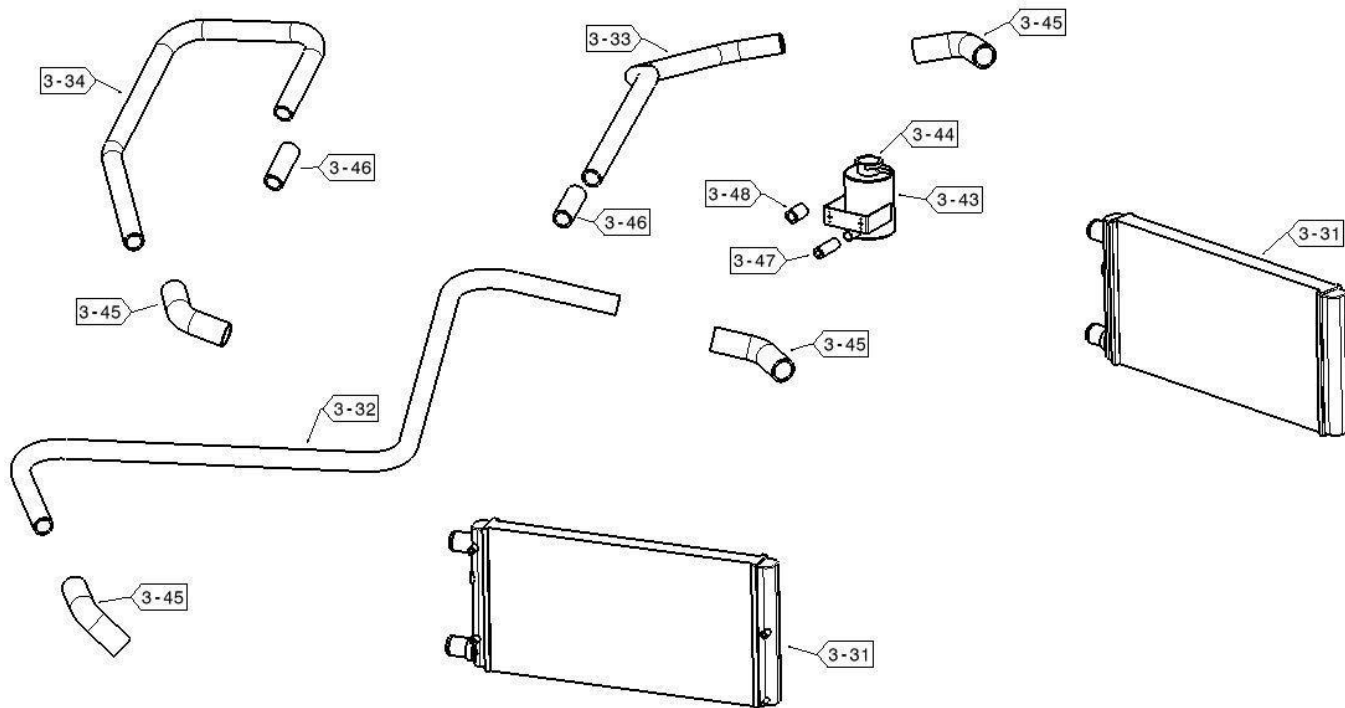
Item Number	Part Number	Description	Price Eur.	On Track Price
2-20	SC-02-005-0299	0.75" Bore Wilwood Master Cylinder – Clutch	€110.00	€126.50
2-21	SC-02-005-0298	5/8" Bore Wilwood Master Cylinder – Front Brake	€110.00	€126.50
2-22	SC-02-005-0297	0.7" Bore Wilwood Master Cylinder – Rear Brake	€110.00	€126.50
2-23	SC-02-005-0186	Pedal Box Base	€220.00	€253.00
2-24	SC-02-005-0309	Throttle Pedal Rocker	€33.00	€37.95
2-25	SC-02-046	Throttle Pedal	€55.00	€63.25
2-26	SC-02-047	Brake Pedal	€55.00	€63.25
2-27	SC-02-048	Clutch Pedal	€55.00	€63.25
2-28		Brake Balance Bar	€143.00	€164.45
2-38		Brake Bias Cable	€99.00	€113.85
2-39		Banjo Bolt Single	€4.40	€5.06
2-40		Banjo Bolt Double	€6.60	€7.59
2-41		Brake Light Switch Bolt	€41.80	€48.07
2-42		10mm Copper Washer	€0.75	€0.86
2-43		Brake Hose Complete Kit	€341.00	€392.15
2-50		Front Brakehose	€71.50	€82.23
2-51		Rear Brakehose	€71.50	€82.23
2-52		Centerpart for rear brakehose	€110.00	€126.50
2-44		Clutch Hose	€110.00	€126.50
2-45		Male T-Piece Adaptor	€11.00	€12.65
2-47		Heel Rest	€55.55	€63.88
2-48		Foot Rest	€66.00	€75.90
S-49		Throttle Cable	€33.00	€37.95
S-28		Bolt Set: Pedal Box Base to Chassis	€6.82	€7.84
S-29		Bolt Set: Throttle Pedal Rocker	POA	POA
S-210		Bolt Set: Pedal to Pedal Box Base	POA	POA
S-211		Bolt Set: Master Cylinder to Pedal Box Base		
S-212		Bolt Set: Throttle Cable Lock-Off		



**SYNERGY**

S-213		Bolt Set: Foot Rest to Pedal Box Base		
-------	--	---------------------------------------	--	--

## Powertrain – Cooling System

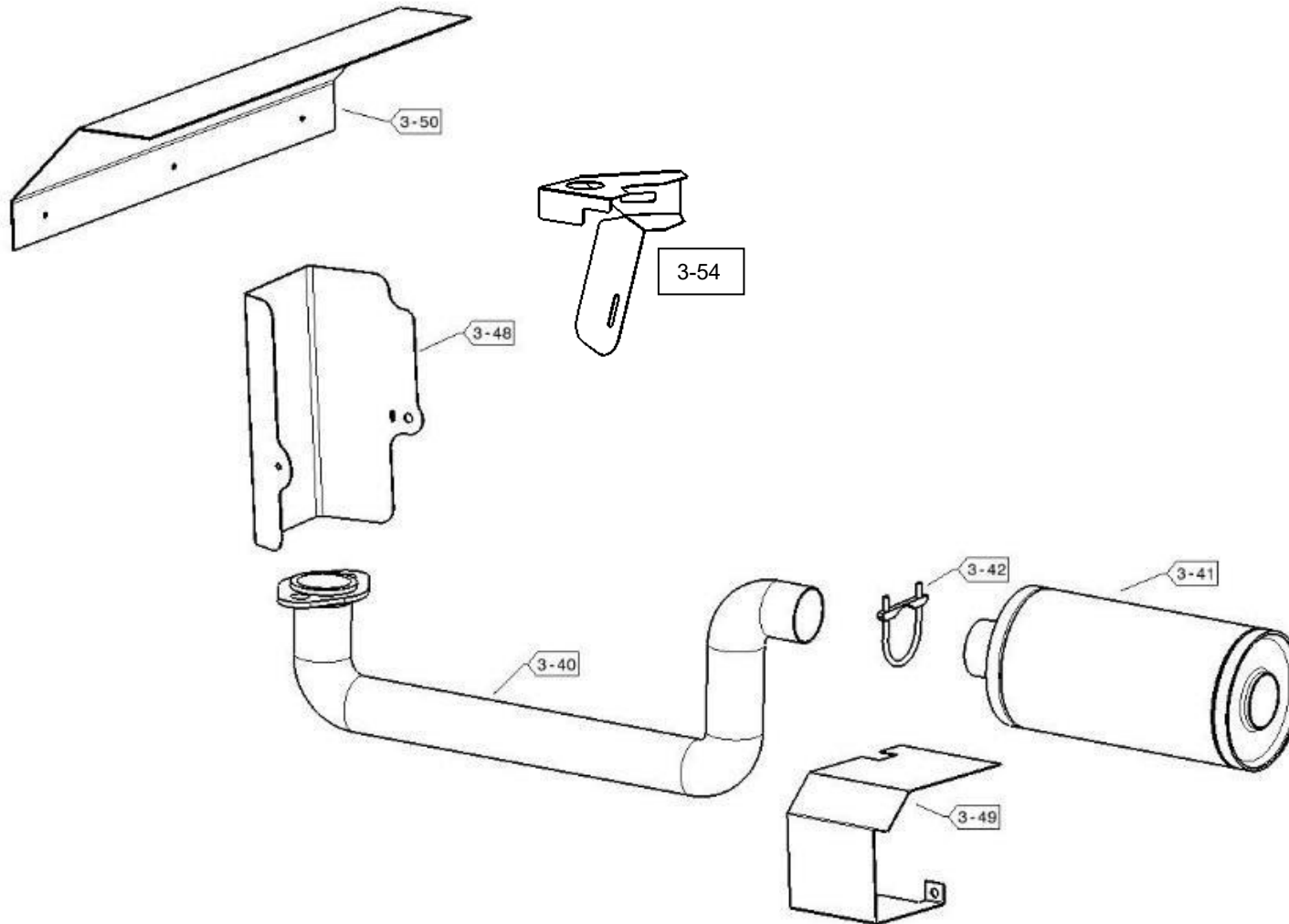


	A	B	C
3-31	X		
3-32	X		
3-33	X		
3-34	X		
3-43	X		
3-44	X		
3-45	X		
3-46	X		
3-47	X		
3-48	X		

## Powertrain – Cooling System – Part Numbers

Item Number	Part Number	Description	Price Eur.	On Track Price
3-31	SC-03-013-0085	Radiator	€89.25	€102.64
3-32	SC-03-013-0519	Radiator to Radiator Cooling Pipe	€82.50	€94.88
3-33	SC-03-013-0520	Upper Left Cooling Pipe	€71.50	€82.23
3-34	SC-03-013-0521	Upper Right Cooling Pipe	€71.50	€82.23
3-43	SC-03-013-0522	Expansion Tank	€40.00	€46.00
3-44	SC-03-013-0523	Expansion Tank Cap	€20.00	€23.00
3-45	SC-03-013-0524	Aquila Silicon 90 Degree elbow	€38.50	€44.28
3-46	SC-03-013-0525	Aquila Silicon Large Diameter Straight	€12.10	€13.92
3-47	SC-03-013-0526	Aquila Silicon Small Diameter Straight	€7.70	€8.86
3-48	SC-03-013-0527	Aquila Blanking Hose	€7.70	€8.86

## Powertrain – Exhaust System

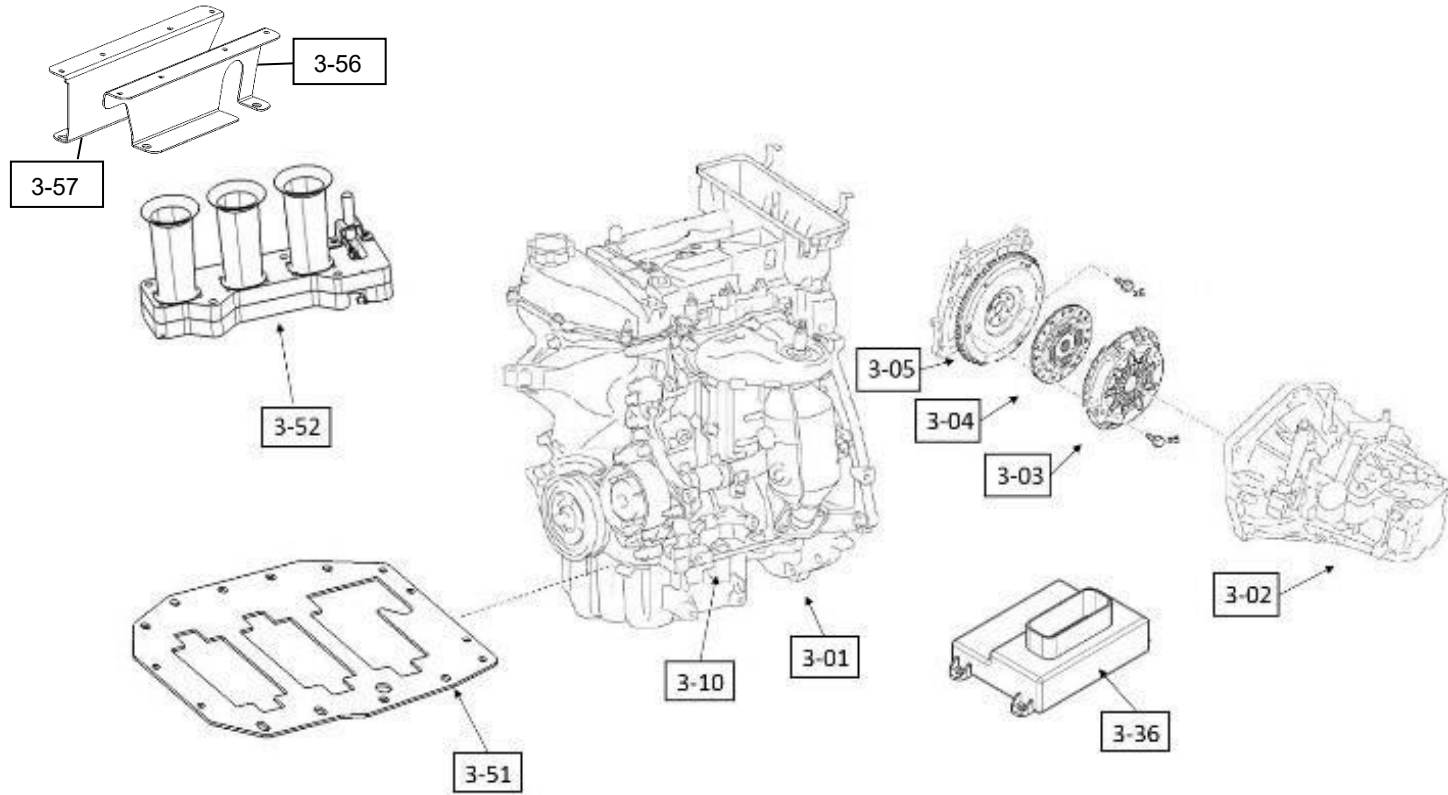


	A	B	C
3-40	X		
3-41	X		
3-42		X	
3-48	X		
3-49	X		
3-50	X		

## Powertrain – Exhaust System – Part Numbers

Item Number	Part Number	Description	Price Eur.	On Track Price
3-40	SC-02-028-0228	Exhaust	€200.00	€230.00
3-41	SC-02-028-0504	Exhaust Silencer	€330.00	€379.50
3-42	SC-02-028-0505	Exhaust Mount	€6.60	€7.59
3-48	SC-02-028-0506	Exhaust Heat Shield	€66.00	€75.90
3-49	SC-03-006-0452	Exhaust Driveshaft Heat Shield	€66.00	€75.90
3-50	SC-03-006-0453	Exhaust Gear Shift Cable Heat Shield	€77.00	€88.55
3-54	SC-03-028-0629	Catalyst upper heat shield	€60.00	€75.90
		Exhaust Bolts	€3.88	€4.46
		Exhaust Gasket	€12.68	€14.59

## Powertrain – Engine and Transmission Assembly

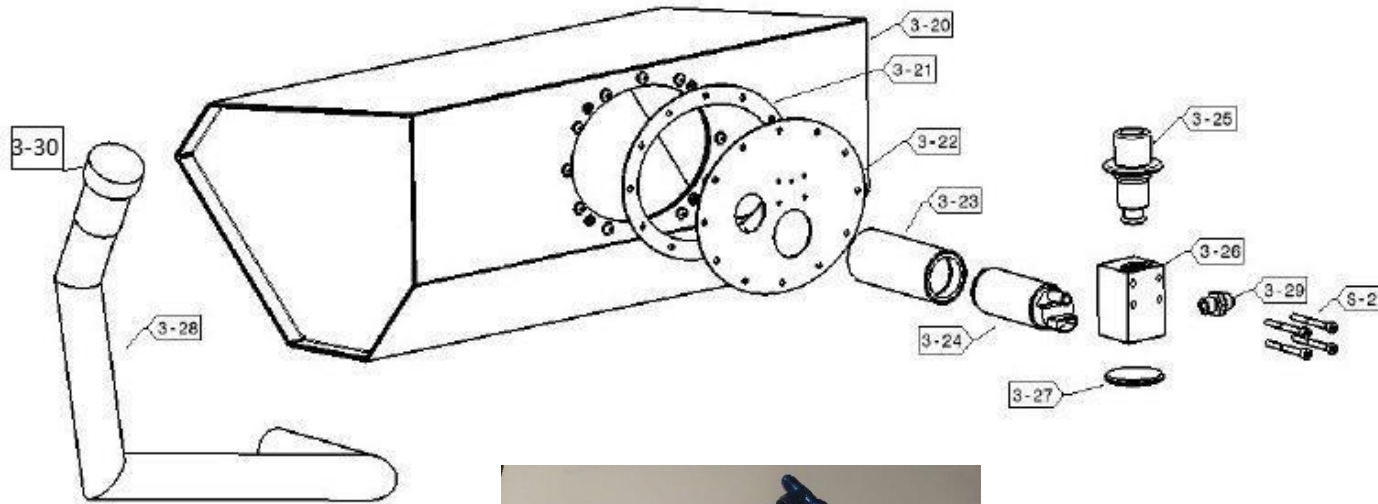


	A	B	C
3-01		X	
3-02		X	
3-03		X	
3-04		X	
3-06	X		
3-30	X		
3-35	X		
3-36	X		
3-37	X		
3-38	X		
3-51	X		
3-52	X		
3-55	X		
3-56	X		
3-57	X		

## Powertrain – Engine and Transmission Assembly – Part Numbers

Item Number	Part Number	Description	Price Eur.	On Track Price
3-01	SC-03-006-0394	1.0 Litre 3 Cylinder 1KR-FE Engine	€POA	€POA
3-02	SC-03-006-0395	Gearbox for 1.0 Litre 3 Cylinder 1KR-FE Engine	€POA	€POA
3-03	SC-03-006-0396	OEM Clutch Plate Kit	€150.00	€172.50
3-04		Clutch	€POA	€POA
3-06	SC-03-006-0272	Adaptor Plate for Moving Oil Filter	€220.00	€253.00
3-30		Oil Filter	€12.00	€13.80
3-35		Engine Wire Loom	€660.00	€759.00
3-36		ECU	€693.00	€796.95
3-37		Chassis Wire Loom	€550.00	€632.50
3-38		Automatic Fuse	€50.00	€57.50
3-51	SC-03-006-0272	Oil Sump Baffle Plate	€66.00	€75.90
3-52		Throttle Body	€3,150	€3,622.50
3-55		Clutch Slave Cylinder	€42.00	€48.30
3-56	SC-03-027-0607	Lower Plenum Chamber Bracket	€45.10	€51.87
3-57	SC-03-027-0606	Upper Plenum Chamber Bracket	€45.10	€51.87
3-58		Generator Belt	€21.00	€24.15

## Powertrain – Fuel System

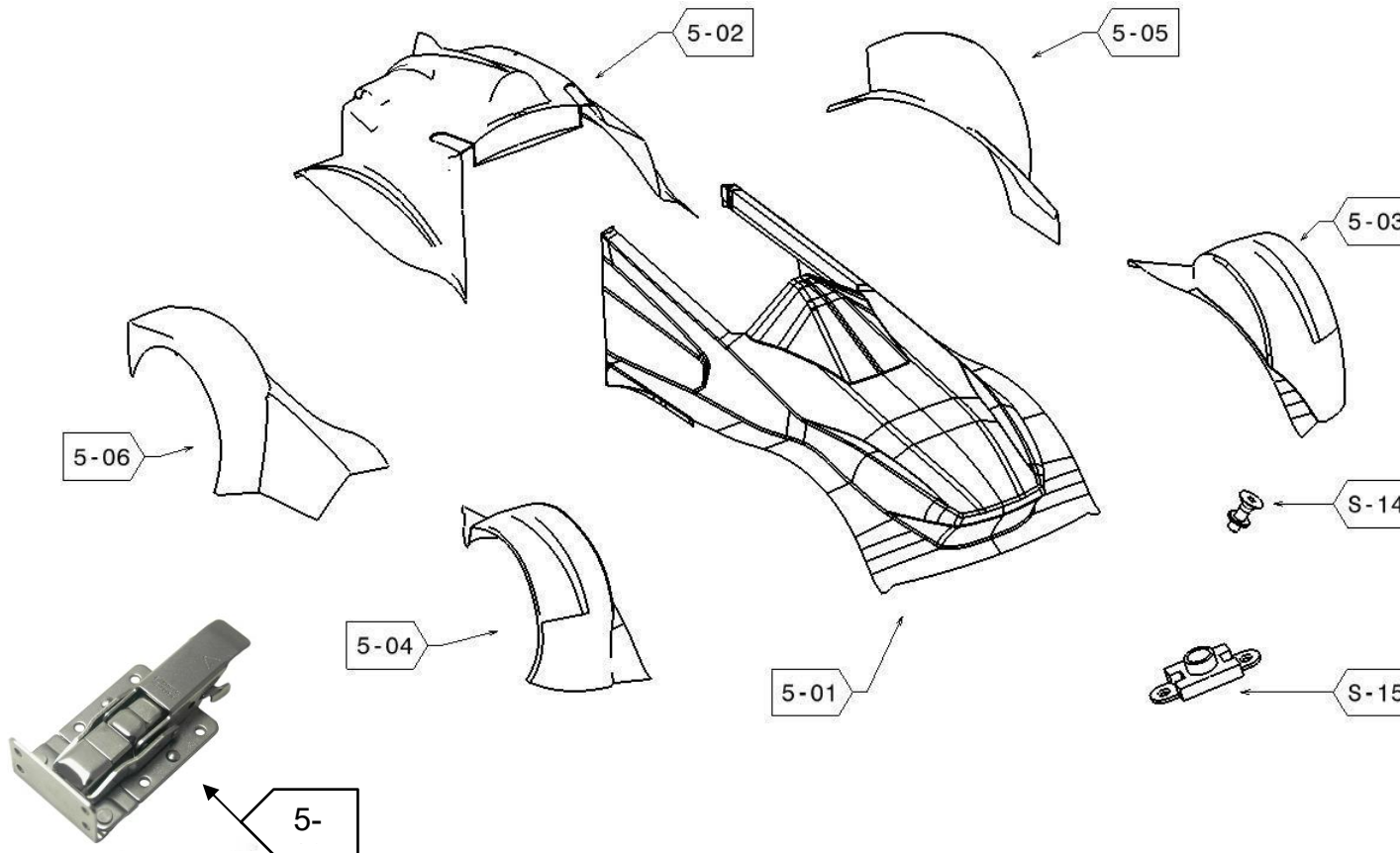


	A	B	C
3-20	X		
3-21	X		
3-22	X		
3-23	X		
3-24		X	
3-25		X	
3-26	X		
3-27	X		
3-28	X		
3-29			X
3-30	X		
3-53	X		
S-32			X
S-33			X
S-34			X

## Powertrain – Fuel System – Part Numbers

Item Number	Drawing Number	Description	Price Eur.	On Track Price
3-20	SC-03-008-0413	Fuel Cell	€440.00	€506.00
3-21	SC-03-008-0104	Access Panel Mounting Gasket	€13.20	€15.18
3-22	SC-03-008-0102	Access Panel	€181.50	€208.73
3-23	SC-03-008-0414	Fuel Pump Housing	€66.00	€75.90
3-24	SC-03-008-0415	Fuel Pump	€242.00	€278.30
3-25	SC-03-008-0416	Fuel Regulator	€49.50	€56.93
3-26	SC-03-008-0417	Fuel Regulator Housing	€132.00	€151.80
3-27	SC-03-008-0418	Fuel Regulator Plug	€6.60	€7.59
3-28	SC-03-008-0419	Fuel Filler Neck	€192.50	€221.38
3-29	SC-03-008-0005	Dash-6 Outlet Fitting	€10.50	€12.08
3-30		Fuel Filler Neck Cap	€17.85	€20.53
3-53		3-Way DASH6 fitting and Fuel line with Break- away coupling male	€143.00	€164.45
S-32		Bolt Set: Fuel Regulator Housing Mounting Bolts	€4.48	€5.15
S-33		Bolt Set: Access Panel Mounting Bolts	€5.37	€6.18
S-34		Bolt Set: Fuel System O-Ring Kit	€23.00	€26.45

## Bodywork

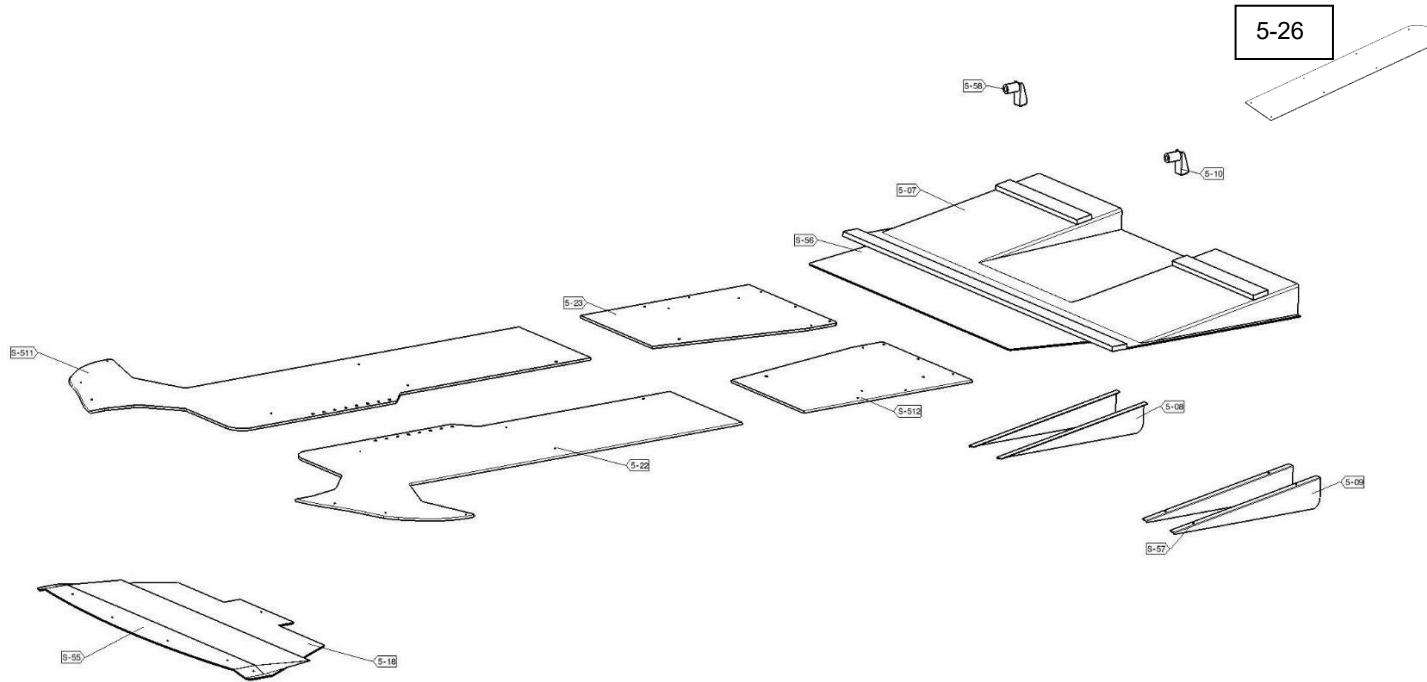


	A	B	C
5-01		X	
5-02		X	
5-03		X	
5-04		X	
5-05		X	
5-06		X	
5-10	X		
5-19	X		
5-20	X		
5-21	X		
5-25			X
S-51			X
S-52			X
S-53			X
S-54			X

## Bodywork – Part Numbers

Item Number	Part Number	Description	Price Eur.	On Track Price
5-01	SC-05-017-0273	Front Centre Section	€1260.00	€1449.00
5-02	SC-05-017-0274	Rear Centre Section	€1155.00	€1328.25
5-03	SC-05-017-0275	Front Left Fender	€420.00	€483.00
5-04	SC-05-017-0276	Front Right Fender	€420.00	€483.00
5-05	SC-05-017-0277	Rear Left Fender	€556.50	€639.98
5-06	SC-05-017-0278	Rear Right Fender	€556.50	€639.98
5-10		Rear Fender Latch	€ 71.50	€ 82.23
5-19	SC-06-040-0365	Brake Light Bracket Left	€ 66.00	€ 75.90
	SC-06-040-0366	Brake Light Bracket Right	€ 66.00	€ 75.90
5-20	SC-06-040-0404	Brake Light Cover Left	€ 11.00	€ 12.65
	SC-06-040-0405	Brake Light Cover Right	€ 11.00	€ 12.65
5-21	SC-06-040-0367	Brake Light	€ 94.50	€ 108.68
5-25		Rain Light incl. bracket	€ 115.50	€ 132.83
S-51		Bolt Set: Front Fender	POA	POA
S-52		Bolt Set: Rear Fender	POA	POA
S-53		Bolt Set: Centre Section	POA	POA
S-54		Bolt Set: Brake Light	POA	POA

## Bodywork – Floor

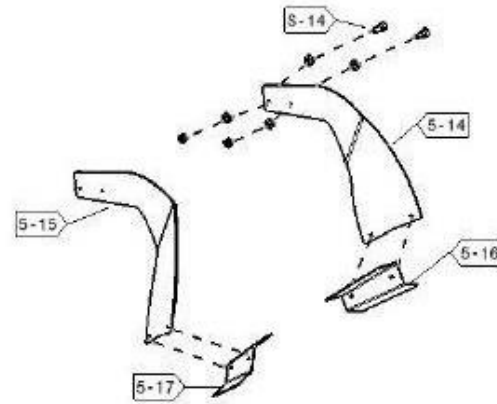
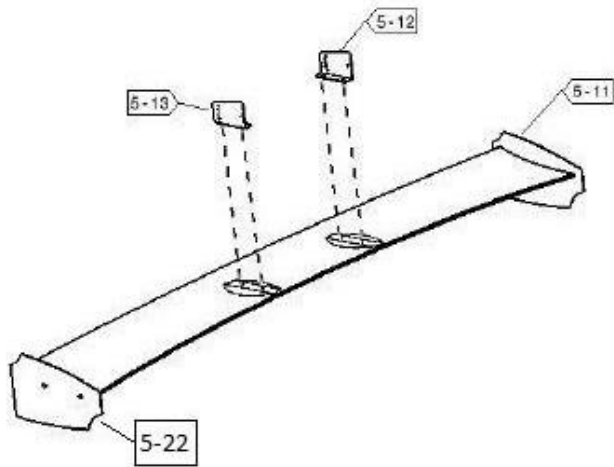


	A	B	C
5-07	X		
5-08	X		
5-09	X		
5-10	X		
5-18	X		
5-22	X		
5-23	X		
5-26	X		
S-55			X
S-56			X
S-57			X
S-58			X
S-511			X
S-512			X

## Bodywork – Floor – Part Numbers

Item Number	Part Number	Description	Price Eur.	On Track Price
5-07	SC-05-055-0407	Diffuser	€ 556.50	€ 639.98
5-08	SC-05-055-0346	Diffuser Left Strake	€ 22.00	€ 25.30
5-09	SC-05-055-0345	Diffuser Right Strake	€ 22.00	€ 25.30
5-10	SC-05-055-0347	Side Mount	€ 26.40	€ 30.36
5-18	SC-05-054-0408	Splitter	€ 242.00	€ 278.30
5-22	SC-05-054-0551	Front Wooden Floor Left	€130.00	€149.50
		Front Wooden Floor Right		
5-23	SC-05-054-0552	Rear Wooden Floor Left	€70.00	€80.50
		Rear Wooden Floor Right		
5-26	SC-05-055-0637	Diffuser heatshield	€ 38.50	€ 44.28
S-55		Bolt Set: Mounting Front Floor	POA	POA
S-56		Bolt Set: Diffuser to Chassis	POA	POA
S-57		Bolt Set: Strakes to Diffuser	POA	POA
S-58		Bolt Set: Diffuser to Side Mount	POA	POA
S-511		Bolt Set: Front Wooden Floor to Chassis	POA	POA
S-512		Bolt Set: Rear Wooden Floor to Chassis	POA	POA

## Bodywork – Rear Wing

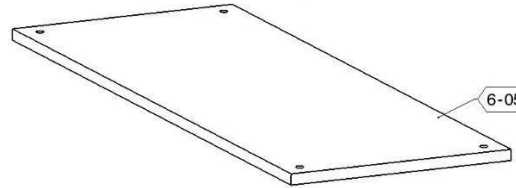
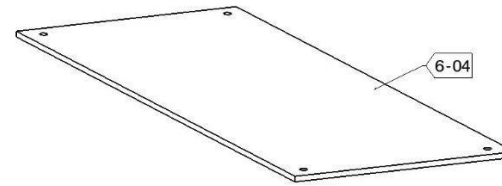
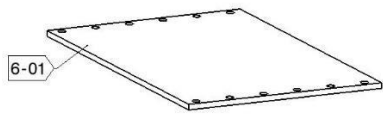


	A	B	C
5-11		X	
5-12	X		
5-13	X		
5-14		X	
5-15		X	
5-16	X		
5-17	X		
5-22	X		
5-24	X		
5-25	X		
S-59			
S-510			

## Bodywork – Rear Wing – Part Numbers

Item Number	Part Number	Description	Price Eur.	On Track Price
5-11	SC-05-056-0406	Rear Wing	€ 588.00	€ 676.20
5-12	SC-05-056-0350	Adjustable Wing Bracket Left	€ 26.40	€ 30.36
5-13	SC-05-056-0351	Adjustable Wing Bracket Right	€ 26.40	€ 30.36
5-14	SC-05-056-0349	Wing Mount Left	€ 56.10	€ 64.52
5-15	SC-05-056-0348	Wing Mount Right	€ 56.10	€ 64.52
5-16	SC-05-056-0354	Wing Mount Bodywork Attachment Plate Left	€ 26.40	€ 30.36
5-17	SC-05-056-0353	Wing Mount Bodywork Attachment Plate Right	€ 26.40	€ 30.36
5-22	SC-05-056-0352	Rear Wing End Plate	€ 16.50	€ 18.98
5-24		Rear Wing Support Bracket	POA	POA
5-25	SC-05-056-0118	Rear Wing Cross Brace	€ 99.00	€ 113.85
S-59		Bolt Set: Adjustable Wing Mount to Wing Mount	POA	POA
S-510		Bolt Set: Wing Mount to Bodywork Attachment Plate	POA	POA

## Vehicle Setup – Ballast Plates



	A	B	C
6-01	X		
6-02	X		
6-03	X		
6-04	X		
6-05	X		

## Vehicle Setup – Ballast Plates – Part Numbers

Item Number	Part Number	Description	Price Eur.	On Track Price
6-01	SC-07-069-0553	Pedal Box Ballast Plate – 2.5Kg	€ 27.50	€ 31.63
6-02	SC-07-069-0554	Pedal Box Ballast Plate – 4.6Kg	€ 34.10	€ 39.22
6-03	SC-07-069-0555	Pedal Box Ballast Plate – 9.3Kg	€ 55.00	€ 63.25
6-04	SC-07-069-0556	Seat Ballast Plate – 5.6Kg	€ 35.20	€ 40.48
6-05	SC-07-069-0557	Seat Ballast Plate – 11.3Kg	€ 57.20	€ 65.78

## Bolt Set Description

Bolt Set Name	Bolt Set Number	Bolt Description				Nut Description			Washer Description			
		Bolt Diameter	Bolt Length	Bolt Head	QTY	Diameter	Type	QTY	Internal Diameter	Type	Material	QTY
Mounting Crashbox to Chassis	S-11	M5	20	Cap Allen	6	N/A	N/A	N/A	5mm	Nordlock	Steel	6
Rear Roll Hoop to Subframe	S-12	M10	30	Cap Allen	6	10mm	Nyloc	6	10mm	Standard	Steel	6
Radiator Floor	S-13	M5	16	Countersunk	7	N/A	N/A	N/A	N/A	N/A	N/A	N/A
Radiator Centre Duct	S-14	M5	16	Countersunk	2	N/A	N/A	N/A	N/A	N/A	N/A	N/A
		M5	16	Button	1	N/A	N/A	N/A	N/A	N/A	N/A	N/A
Right Angle Locator through Floor	S-15	M5	16	Countersunk	2	N/A	N/A	N/A	N/A	N/A	N/A	N/A
Subframe to Monocoque	S-16	M10	60	Cap Allen	4	N/A	N/A	N/A	N/A	N/A	N/A	N/A
		M10	70	Cap Allen	2	N/A	N/A	N/A	N/A	N/A	N/A	N/A
Lower Engine Bracket to Subframe	S-17	M8	25	Cap Allen	2	N/A	N/A	N/A	8mm	Nordlock	Steel	2
Diffuser Mount	S-18											
Right Angle Locator through Housing	S-19	M5	12	Button	2	N/A	N/A	N/A	N/A	N/A	N/A	N/A
Gear Cable Mount to Subframe	S-110	M10x1.25	50	Hex	2	N/A	N/A	N/A	10mm	Standard	Steel	2
		M10x1.25	50	Hex	1	N/A	N/A	N/A	10mm	Standard	Steel	1
Camber Block	S-41	M8	30	Cap Allen	2	N/A	N/A	N/A	8mm	Nordlock	Steel	2
Retainer Plate	S-42	M5	16	Button	8	N/A	N/A	N/A	N/A	N/A	N/A	N/A
Brake Caliper	S-43	M10	30	Cap Allen	2	N/A	N/A	N/A	10mm	Nordlock	Steel	2
OEM Wheel Bolts	S-44	M12	30	OEM Hex		N/A	N/A	N/A	N/A	N/A	N/A	N/A

Steering Arm	S-45	M8	50	Cap Allen	1	8mm	Nyloc	1	8mm	Standard	Steel	1
Brake Disc Screw	S-46	M6	10	Countersunk	1	N/A	N/A	N/A	N/A	N/A	N/A	N/A

Front Inboard Wishbone Upper/ Lower	S-47	M8	45	Cap Allen	2	8mm	Nyloc	2	N/A	N/A	N/A	N/A
Outboard Upper Wishbone	S-48	M8	50	Cap Allen	1	8mm	Nyloc	1	8mm	Standard	Steel	2
Damper to Mounting Brackets	S-49	M8	50	Cap Allen	2	8mm	Nyloc	2	N/A	N/A	N/A	N/A
Lower Wishbone Bracket	S-410	M6	30	Button	2	6mm	Nyloc	2	N/A	N/A	N/A	N/A
Outboard Lower Wishbone	S-411	M8	65	Cap Allen	1	8mm	Nyloc	1	8mm	Standard	Steel	2
Rear Inboard Wishbone	S-412	M8	35	Cap Allen	2	8mm	Nyloc	2				
Rear Outboard Upper Wishbone	S-413	M8	65	Cap Allen	1	8mm	Nyloc	1	8mm	Standard	Steel	2
Rear Outboard Lower Wishbone	S-414	M8	50	Cap Allen	1	8mm	Nyloc	1	8mm	Standard	Steel	1
Lower Wishbone Damper Bracket	S-415	M6	30	Button	2	6mm	Nyloc	2	N/A	N/A	N/A	N/A
Rear Track Rod	S-416	M8	50	Cap Allen	1	8mm	Nyloc	1	8mm	Standard	Steel	1
RH/ LH Rear Track Rod Lock Nuts	S-417	N/A	N/A	N/A	N/A	8mm	Lock Nut RH/LH	2	N/A	N/A	N/A	N/A
Steering Rack	S-21	M12	100	Cap Allen	2	12mm	Nyloc	2	12mm	Standard	Steel	4
		M5	16	Button	8							
Switch Panel Covers	S-22	M5	12	Button	12	N/A	N/A	N/A	N/A	N/A	N/A	N/A
Gear Lever Selector Unit	S-24	M6	30	Cap Allen	4	N/A	N/A	N/A	6mm	Penny	Steel	4
Fire Extinguisher/ Battery Cover	S-23	M5	16	Cap Allen	8	N/A	N/A	N/A	N/A	N/A	N/A	N/A

Safety Belt	S-25	M8	30	Cap Allen	4	N/A	N/A	N/A	8mm	Nordlock	Steel	4
Driver Kill Switch	S-26	M6	40	Cap Allen	2	6mm	Flange d Nyloc	2	N/A	N/A	N/A	N/A
Seat to Chassis	S-27	M8	25	Button	8	8mm	Standard	4	N/A	N/A	N/A	N/A
						8mm	Nyloc	4				

Bolt Set Name	Bolt Set Number	Bolt Description				Nut Description			Washer Description			
		Bolt Diameter	Bolt Length	Bolt Type	QTY	Diameter	Type	QTY	Diameter	Type	Material	QTY
Pedal Box Base to Chassis	S-28	M8	25	Cap Allen	4	N/A	N/A	N/A	N/A	N/A	N/A	N/A
Throttle Pedal Rocker	S-29	M5	25	Hex	1	5mm	Nyloc	1				
Pedal to Pedal Box Base	S-210	M8	50	Cap Allen	1	8mm	Nyloc	1	8mm	Standard	Steel	2
Master Cylinder to Pedal Box Base	S-211											
Throttle Cable Wire Locker	S-212											
Fuel Regulator Housing Mounting Bolts	S-32	M5	50	Cap Allen	4	N/A	N/A	N/A	5mm	Standard	Nylon	4
		M5	8	Button	4				5mm	Standard	Steel	4
Access Panel Mounting Bolts	S-33	M5	18	Button	12	N/A	N/A	N/A	5mm	Standard	Nylon	12
Fuel Regulator O-Ring Kit	S-34											
Front Fender to Centre Section	S-51	M5	12	Countersunk	8	5mm	Nyloc	8	5mm	Countersunk	Plastic	8
Rear Fender to Centre Section	S-52	M5	12	Countersunk	9	5mm	Nyloc	9	5mm	Countersunk	Plastic	9
		M5	16	Countersunk	3	5mm	Floating Nyloc	3				
Centre Section to Chassis	S-53	M5	12	Countersunk	8				5mm	Countersunk	Plastic	8
Brake Light	S-54	M5	12	Countersunk	5	5mm	Nyloc	5	5mm	Countersunk	Plastic	5
Mounting Front Floor	S-55	M5	16	Button	19	5mm	Nyloc	12	5mm	Penny	Steel	30
Diffuser to Chassis	S-56	M5	16	Countersunk	4	5mm	Nyloc	2	5mm	Penny	Steel	6
		M5	16	Button	6							
Strakes to Diffuser	S-57	M5	12	Button	8	5mm	Nyloc	8				

	S-58	M10	100	Cap Allen	2	10mm	Standard	2	10mm	Standard	Steel	2
--	------	-----	-----	-----------	---	------	----------	---	------	----------	-------	---

Diffuser to Side Mount						10mm	Flanged Standard	2	10mm	Penny	Steel	2
Adjustable Wing Mount to Wing Mount	S-59	M6	20	Button	4	6mm	Nyloc	4				
Wing Mount to Bodywork Attachment Plate	S-510	M5	16	Button	4	5mm	Nyloc	4				
Front Wooden Floor to Chassis	S-511	M5	16	Countersunk	3							
		M6	16	Countersunk	1							
Rear Wooden Floor to Chassis	S-512	M5	16	Countersunk	5							
		M6	16	Countersunk	1							

### Top Hats Description

Item Number	Part Number	Description	QTY
TH-1	SC-04-041-0260	Front Wishbone Outboard Upper/ Rear Track Rod	2
TH-2	SC-04-041-0261	Front Wishbone Inboard	4
TH-3	SC-04-041-0262	Front Wishbone Outboard Lower	2
TH-4	SC-04-041-0263	Rear Wishbone Inboard	4
TH-5	SC-04-041-0264	Rear Wishbone Outboard Upper	2
TH-6	SC-04-041-0265	Rear Wishbone Outboard Lower	2